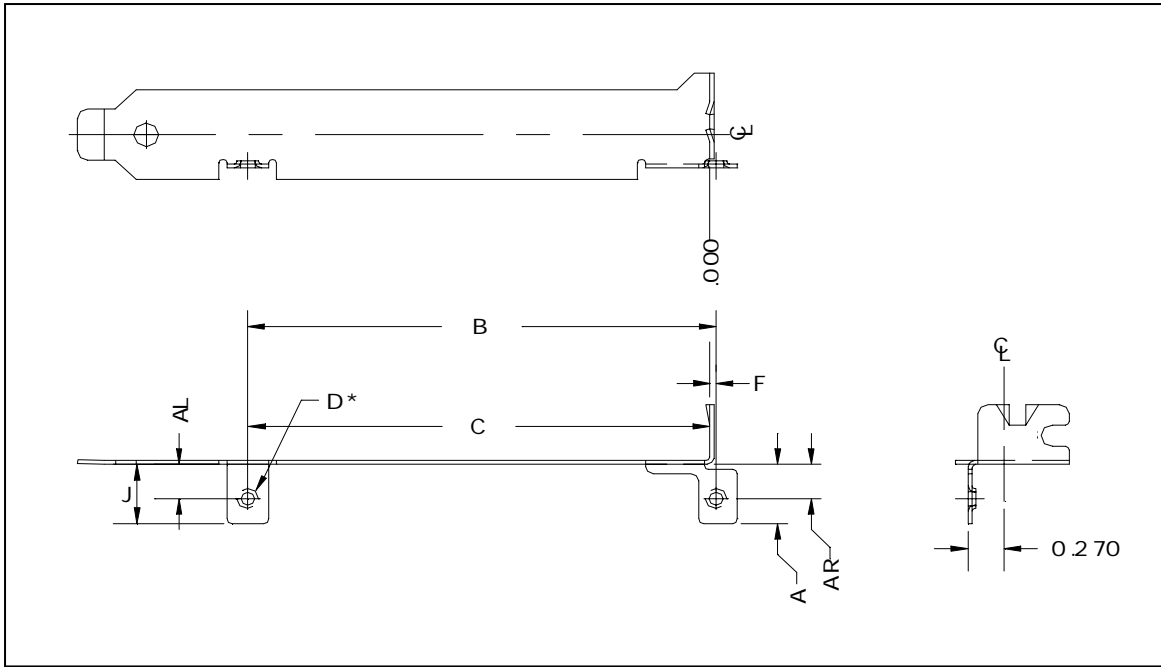


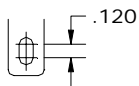


ISA TOP-MOUNT RAISED TAB BRACKETS

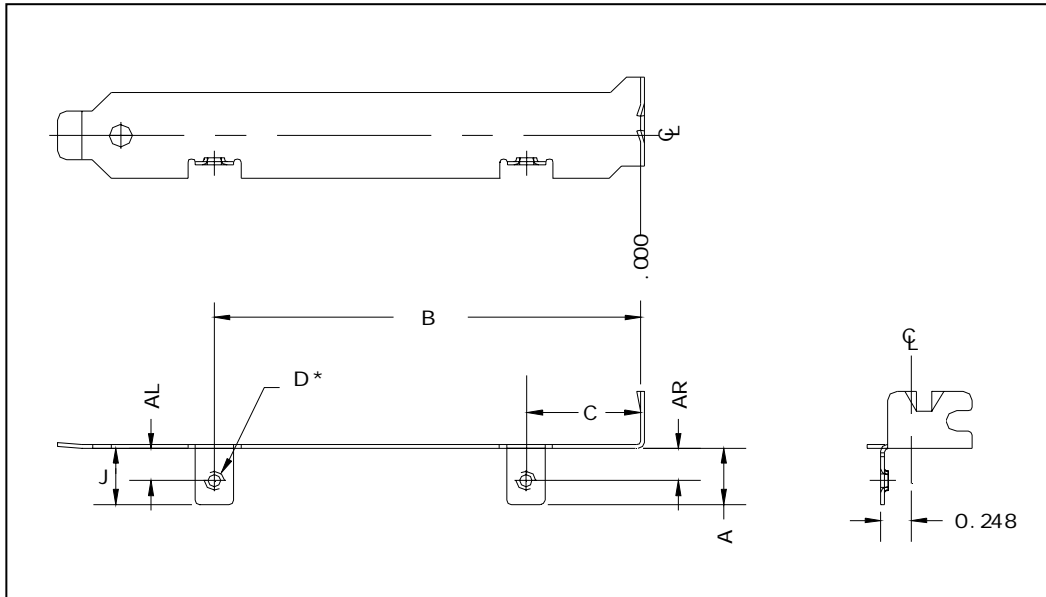


PART DESCRIPTION	DIMENSIONS								Tooled Item	Stocked Item
	Tab Hole	Left Tab Profile			Right Tab Profile					
	D*	C	AL	J	B	AR	A	F		
CT1NF6	1	3.453	0.273	0.473	3.500	0.273	0.473	0.047	X	

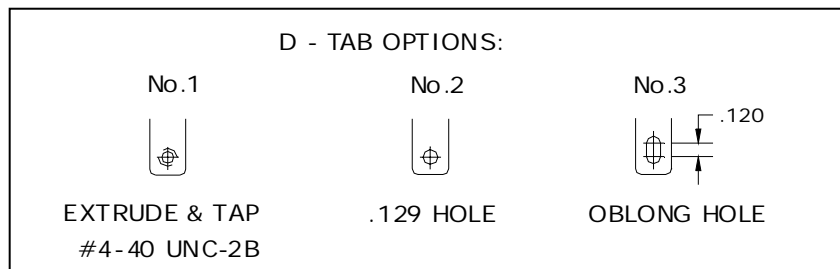
D - TAB OPTIONS:

<p>No.1</p>  <p>EXTRUDE & TAP #4-40 UNC-2B</p>	<p>No.2</p>  <p>.129 HOLE</p>	<p>No.3</p>  <p>OBLONG HOLE</p>
---	--	---

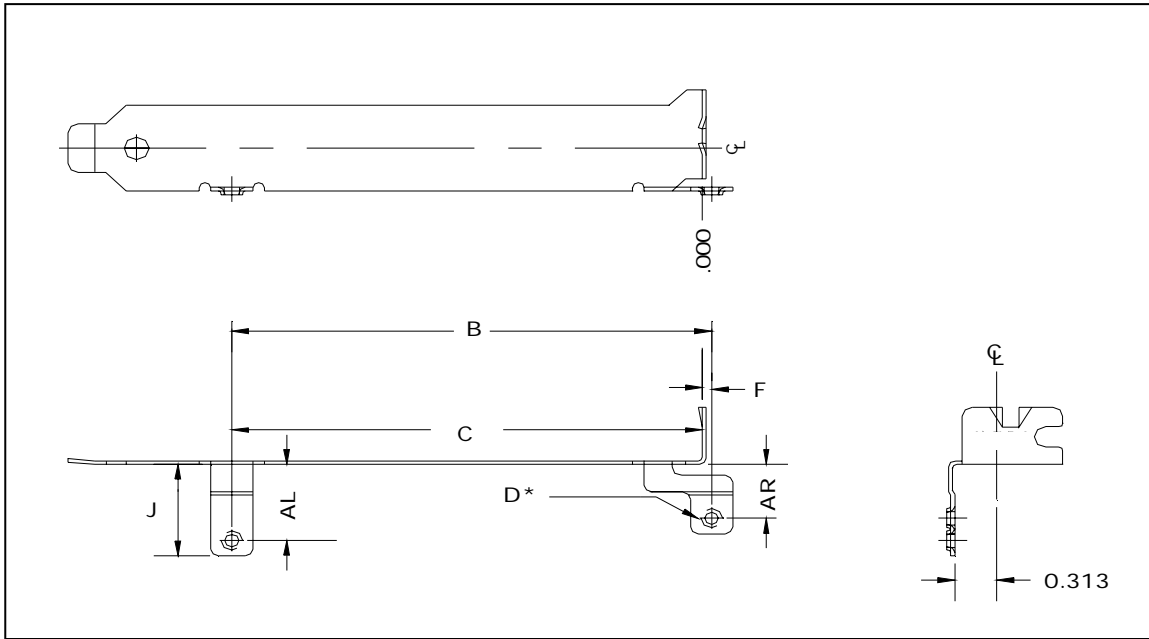
ISA TOP-MOUNT STRAIGHT TAB BRACKETS



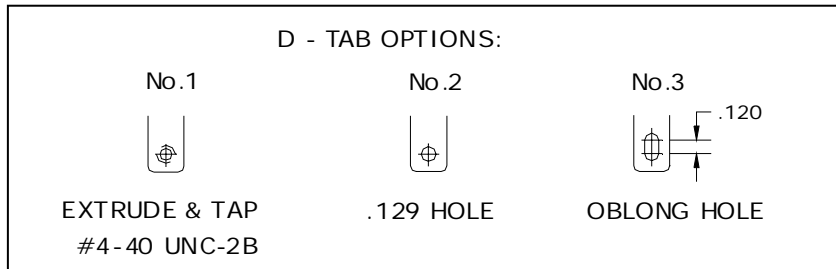
PART DESCRIPTION	DIMENSIONS							Tooled Item	Stocked Item
	Tab Hole	Left Tab Profile			Right Tab Profile				
	D*	B	AL	J	C	AR	A		
CT1W1	1	3.475	0.295	0.425				X	
CT1X1	1	3.376	0.295	0.483	0.376	0.295	0.483	X	
CT1S1	1				0.376	0.295	0.483	X	
CT1Y1	1	3.450	0.295	0.425	0.675	0.295	0.425	X	
CT1Z1	1				0.200	0.295	0.425	X	
CT1AK1	1	3.450	0.295	0.425	1.650	0.295	0.425	X	
CT1AL1	1	3.750	0.295	0.425	0.200	0.295	0.425	X	
CT1AM1	1	3.790	0.309	0.465	0.200	0.309	0.465	X	
CT1AQ1	1				0.274	0.453	0.547	X	
CT1AS1	1	3.200	0.225	0.400	0.400	0.225	0.400	X	
CT1AT1	1	3.425	0.225	0.400	0.175	0.225	0.400	X	
CT1AU1	1	3.200	0.225	0.400	0.175	0.225	0.400	X	
CT1AV1	1	3.825	0.225	0.400	0.175	0.225	0.400	X	
CT1AW1	1				0.325	0.200	0.420	X	
CT1AY1	1	3.750	0.295	0.425	0.200	0.295	0.425	X	
CT1AZ1	1				0.400	0.245	0.420	X	
CT1BE1	1	3.450	0.295	0.425	1.850	0.295	0.425	X	
CT1BF1	1	3.750	0.295	0.425	1.100	0.295	0.425	X	
CT1BK1	1	3.760	0.240	0.390	0.125	0.240	0.390	X	
CT2N9	2	3.755	0.291	0.440	0.659	0.291	0.440	X	
CT2R1	2	2.920	0.225	0.425				X	
CT2AS1	2	3.200	0.225	0.400	0.400	0.225	0.400	X	
CT2NB2	2				0.137	0.410	0.550	X	
CT2NG7	2	3.453	0.280	0.440				X	
CT2BH1	2	3.760	0.240	0.390	0.275	0.240	0.390	X	
CT4AT1	2, 1	3.425	0.225	0.400	0.175	0.225	0.400	X	



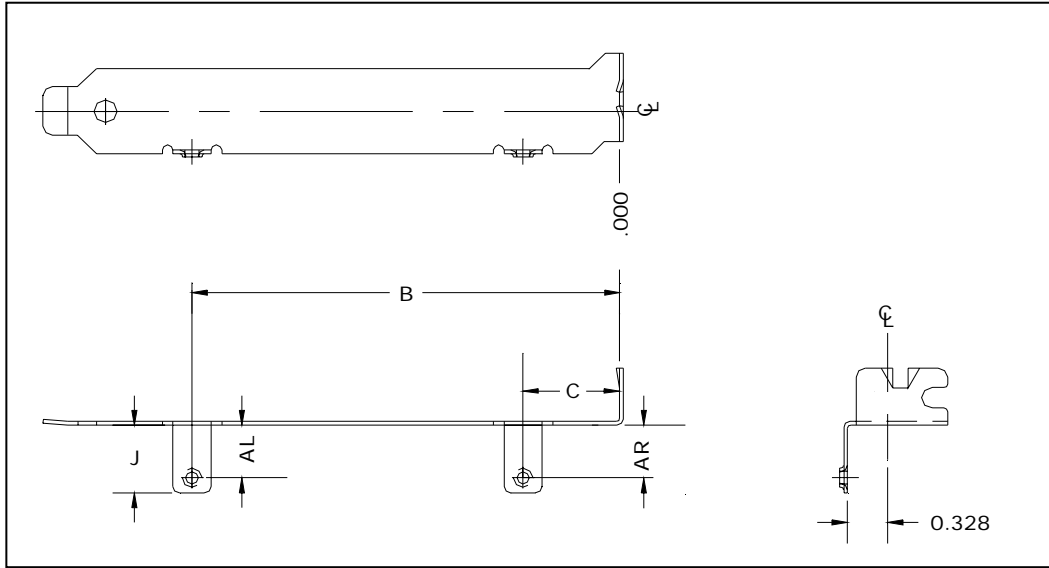
ISA BOTTOM-MOUNT RAISED TAB BRACKETS



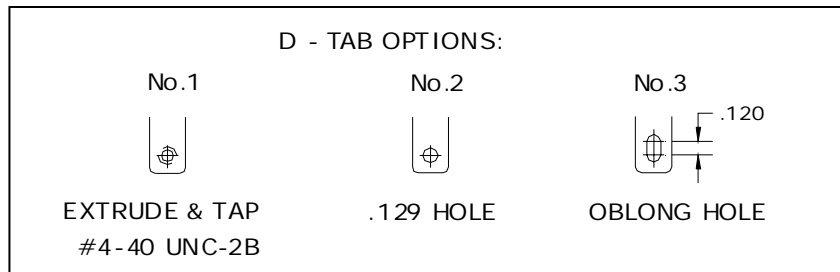
PART DESCRPTIO N	DIMENSIONS								Tooled Item	Stocked Item
	Tab Hole	Left Tab Profile			Right Tab Profile					
	D*	C	AL	J	B	AR	A	F		
CB1J1	1	3.429	0.453	0.583	3.500	0.453	0.583	0.071	X	
CB1NA1	1	3.504	0.640	0.770	3.575	0.453	0.583	0.071	X	X
CB1NA1S	1					0.453	0.583	0.071	X	
CB1NE5	1	3.429	0.305	0.400	3.500	0.305	0.400	0.071	X	X
CB2NC3	2	3.755	0.277	0.527	3.850	0.277	0.527	0.095	X	



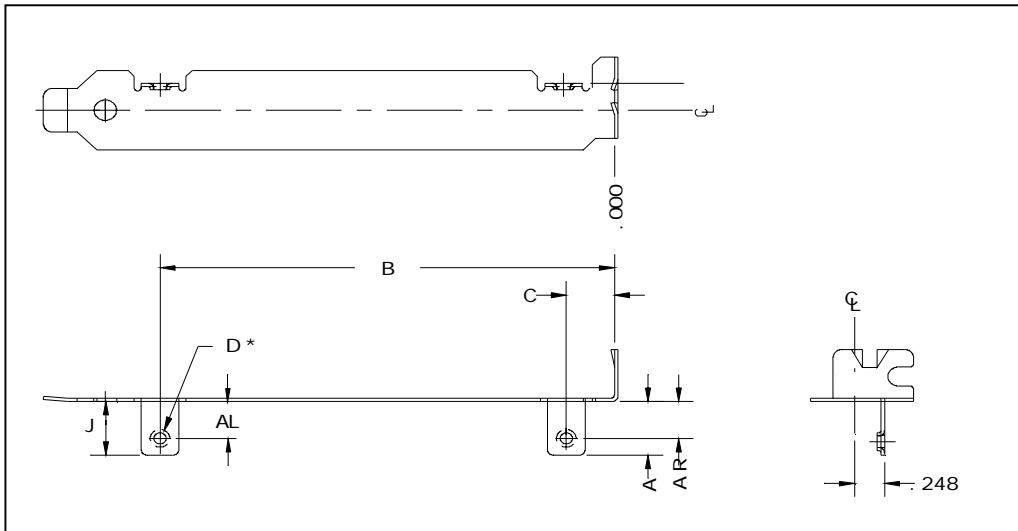
ISA BOTTOM-MOUNT STRAIGHT TAB BRACKETS



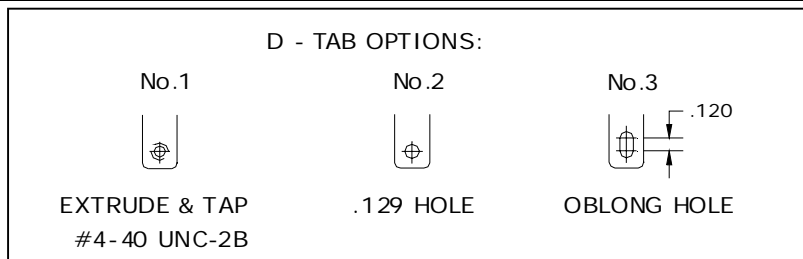
PART DESCRIP TION	DIMENSIONS							Tooled Item	Stocked Item
	Tab Hole	Left Tab Profile			Right Tab Profile				
	D*	B	AL	J	C	AR	A		
CB1K7	1	3.205	0.272	0.460	0.449	0.272	0.460	X	
CB1V1	1	3.750	0.260	0.500	0.350	0.260	0.500	X	
CB1ND4	1	3.429	0.260	0.410	0.236	0.260	0.410	X	X
CB1BL1	1	3.375	0.240	0.375	1.685	0.240	0.375	X	
CB2H5	2	3.560	0.305	0.450	0.160	0.305	0.450	X	
CB2L5	2	3.350	0.305	0.400	0.850	0.305	0.400	X	
CB2AF1	2	3.755	0.374	0.500	0.575	0.374	0.500	X	
CB2BD1	2	3.795	0.243	0.373				X	



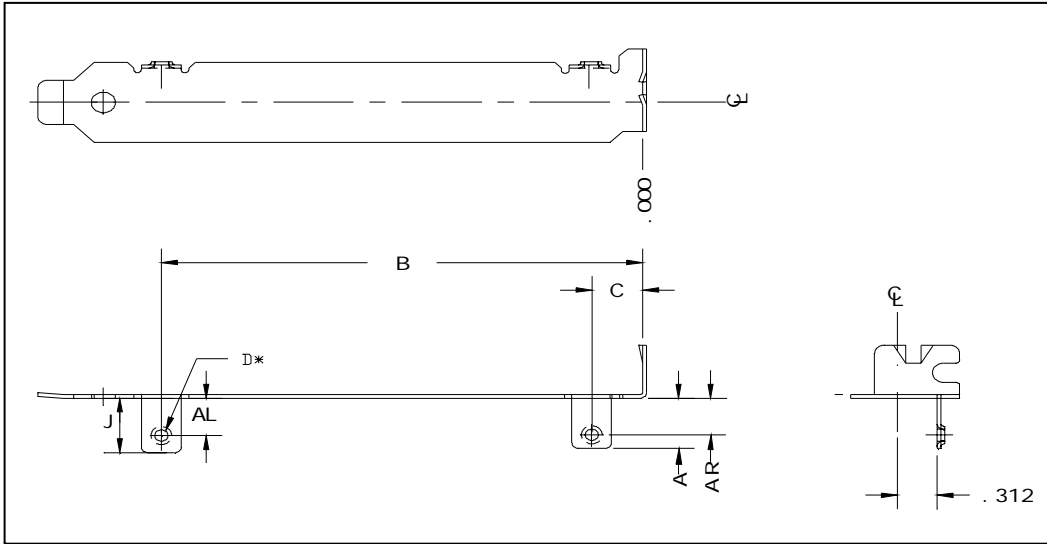
PCI TOP-MOUNT BRACKETS



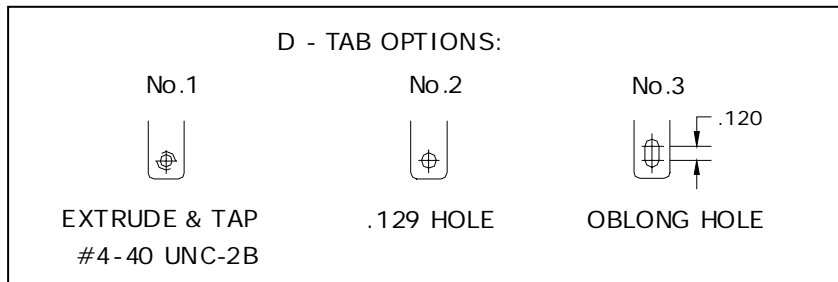
PART DESCRIPTION	DIMENSIONS							Tooled Item	Stocked Item
	Tab Hole	Left Tab Profile			Right Tab Profile				
	D*	B	AL	J	C	AR	A		
S02	1	3.760	0.340	0.495	0.398	0.340	0.495	X	X
S03	1	3.760	0.350	0.495	0.398	0.350	0.495	X	X
S04	1	3.760	0.350	0.495				X	
S05	1	3.750	0.295	0.445	0.200	0.295	0.445	X	X
S07	1	3.725	0.240	0.390	0.375	0.240	0.390	X	
S08	1	3.725	0.240	0.390	1.127	0.240	0.390	X	
S09	1	3.725	0.240	0.390	0.800	0.240	0.390	X	
S10	1	3.472	0.437	0.567	1.122	0.437	0.567	X	
S11	1				0.668	0.379	0.515	X	
S12	1	3.725	0.240	0.390	0.177	0.240	0.390	X	
S13	1	3.770	0.240	0.360	0.570	0.450	0.570	X	
S15	1				0.398	0.350	0.495	X	
S16	1	3.750	0.240	0.390	0.825	0.240	0.390	X	
S17	1	3.760	0.240	0.390	0.398	0.240	0.390	X	
S18	1	3.750	0.240	0.390				X	
S19	1	3.750	0.240	0.390	0.202	0.240	0.390	X	
S20	2	3.760	0.240	0.390	0.398	0.240	0.390	X	
S22	1	3.750	0.240	0.390	1.150	0.240	0.390	X	
S23	1	3.760	0.335	0.490				X	
S24	1	3.810	0.335	0.480	0.660	0.335	0.480	X	
S25	1	3.750	0.240	0.390	0.325	0.240	0.390	X	
S26	2	3.760	0.365	0.495	0.398	0.365	0.495	X	
S27	1				0.398	0.335	0.495	X	X
S28	1	3.750	0.240	0.390	0.150	0.240	0.390	X	
S29	1	3.750	0.240	0.390	2.150	0.240	0.390	X	
S31	1				0.398	0.335	0.495	X	
S32	1	3.750	0.240	0.390	0.800	0.240	0.390	X	
S33	1	3.760	0.335	0.485	1.325	0.335	0.485	X	
S34	1	3.760	0.335	0.485	1.638	0.335	0.485	X	
S35	1,2	3.760	0.240	0.390	0.398	0.240	0.390	X	
S36	1	3.760	0.320	0.450	0.398	0.320	0.450	X	
S37	1	3.760	0.236	0.390	1.638	0.236	0.390	X	



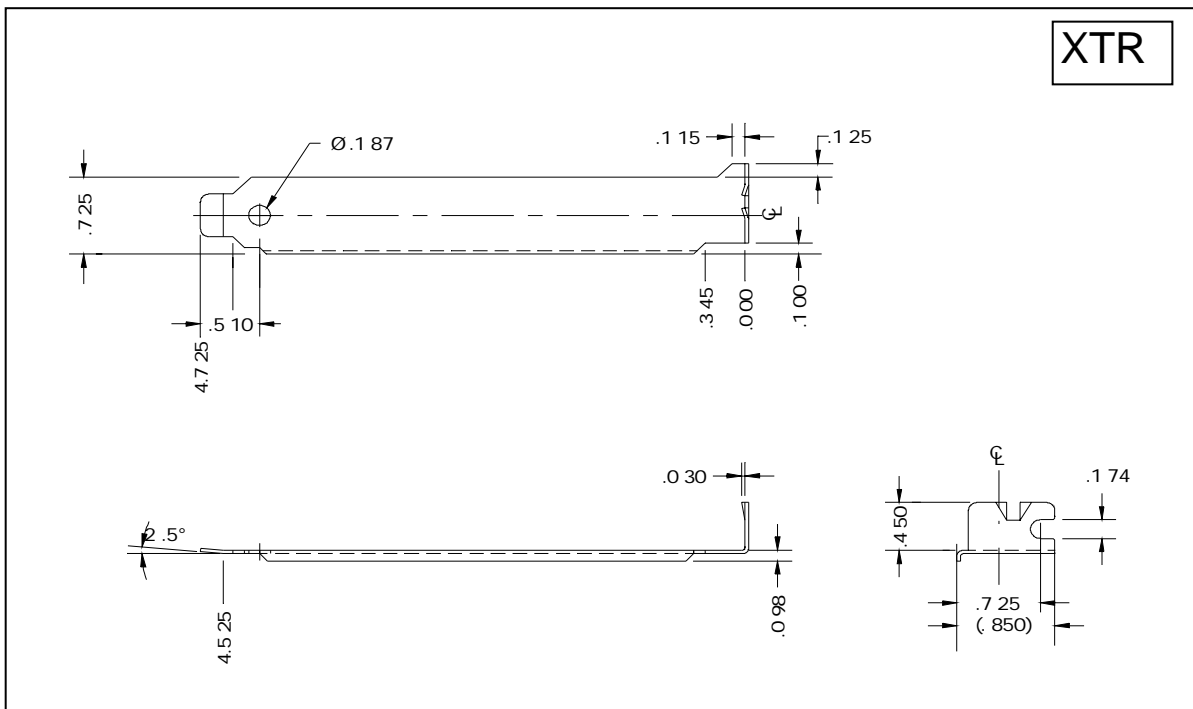
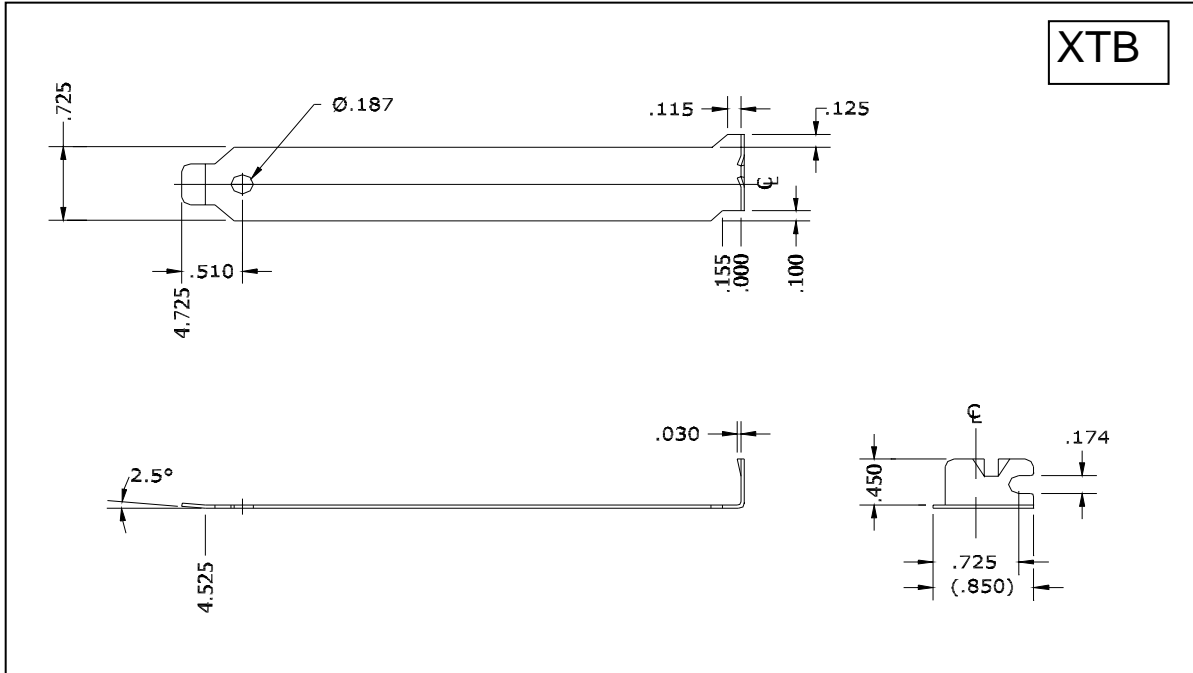
PCI BOTTOM-MOUNT BRACKETS



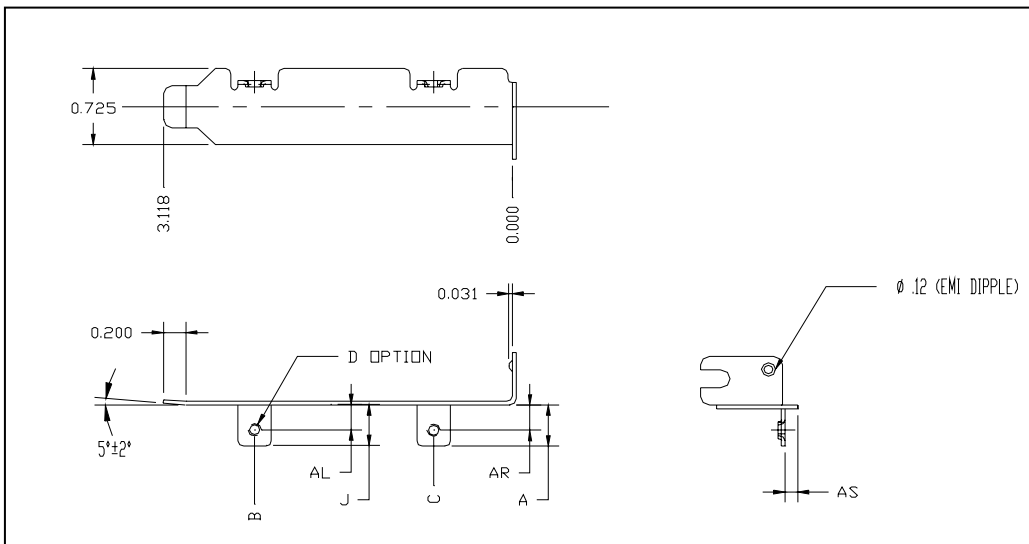
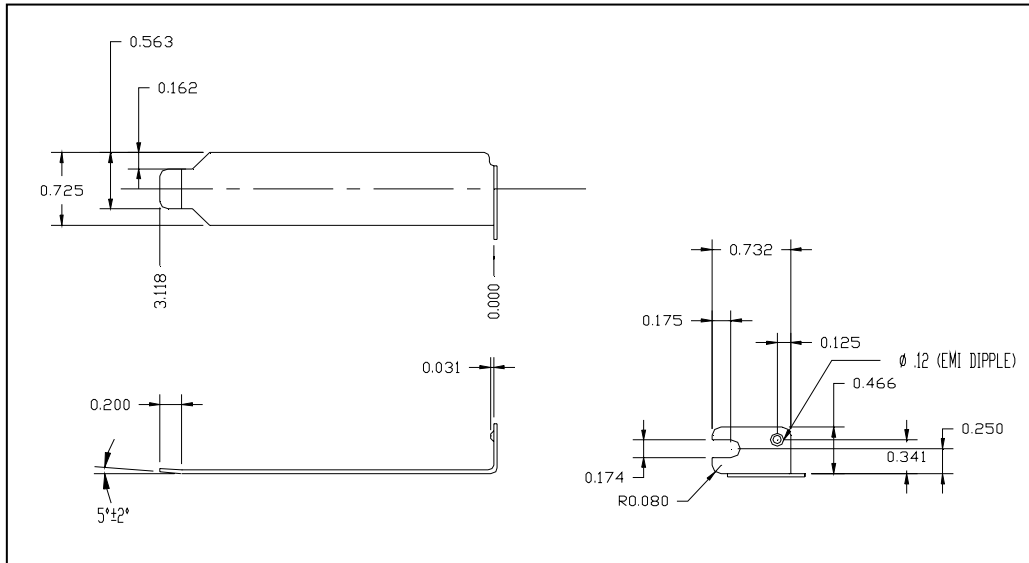
PART DESCRIPTION	DIMENSIONS							Tooled Item	Stocked Item
	Tab Hole	Left Tab Profile			Right Tab Profile				
	D*	B	AL	J	C	AR	A		
D01	1	3.760	0.335	0.455	0.398	0.335	0.455	X	X
D01S	1	3.760	0.335	0.455				X	
D02	1	3.760	0.340	0.495	1.750	0.340	0.495	X	X
D03	1	3.720	0.313	0.455	0.358	0.313	0.455	X	
D04	1	3.720	0.313	0.455				X	
D05	1	3.760	0.371	0.495	-0.056	0.294	0.404	X	X
D05S	1				-0.056	0.294	0.404	X	X
D06	1				0.569	0.335	0.455	X	
D07	1	3.760	0.240	0.390	0.398	0.240	0.390	X	
D08	2	3.760	0.371	0.495	0.398	0.371	0.495	X	
D09	1	3.760	0.340	0.537	1.638	0.340	0.537	X	
D10	1,2	3.760	0.240	0.390	0.398	0.240	0.390	X	
D11	1	3.760	0.370	0.567	2.060	0.370	0.567	X	
D12	1	3.757	0.340	0.537	1.635	0.340	0.537	X	
D13	1	3.760	0.270	0.389	2.260	0.445	0.569	X	



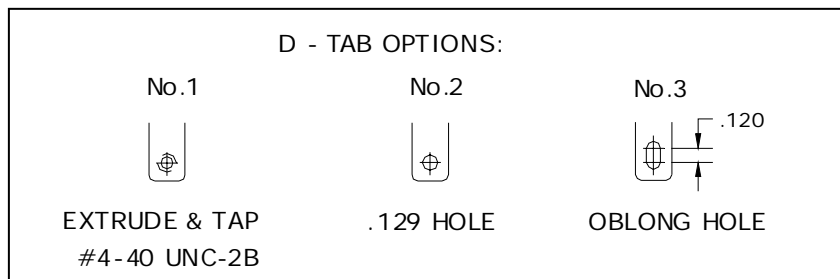
NON-TAB PCB STANDARD PCB BRACKETS



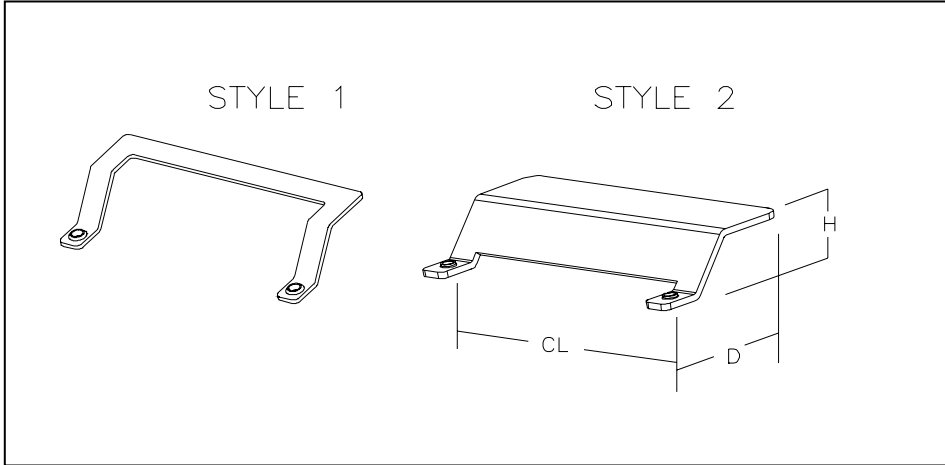
LOW PROFILE BRACKETS



PART DESCRIPTION	DIMENSIONS								Tooled Item	Stocked Item
	Tab Hole	Left Tab Profile			Right Tab Profile			Both		
	D *	B	AL	J	C	AR	A	AS		
LP1	1	2.303	0.240	0.390	0.703	0.240	0.390	0.113	X	X
LP2	1	2.312	0.360	0.500	0.190	0.360	0.500	0.113	X	X
LP3	1	2.311	0.270	0.389	0.811	0.445	0.569	0.020	X	
LP4	1	2.312	0.236	0.390	0.190	0.236	0.390	0.113	X	



PCI RETAINER BRACKETS



PART DESCRIPTION	Hole Centerline Dimensior						Tooled Item	Stocked Item
	Style 1			Style 2				
	CL	H	D	CL	H	D		
27-0153-001	2.915	0.575	1.262				X	
27-0159-001	1.075	0.575	1.262				X	
230-0220-001				2.810	0.562	1.262	X	
230-0221-001				3.525	0.562	1.262	X	